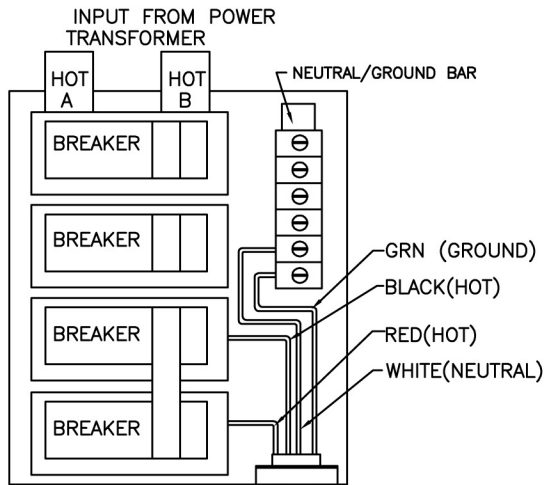


STANDARD WIRING PRACTICES US/CANADA 240VAC

ALL 240VAC SPAS MUST BE PERMANENTLY CONNECTED (HARD WIRED) TO THE POWER SUPPLY

HOUSE BREAKER BOX



SPA CONTROLLER

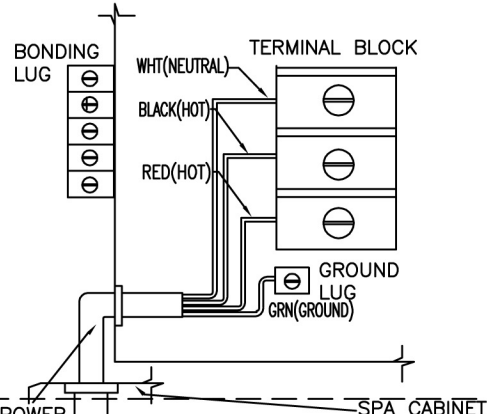
FOR LICENSED ELECTRICIAN ONLY

WARNING: THIS WIRING MUST BE DONE BY A LICENSED ELECTRICIAN

NOTE: USE COPPER CONDUCTORS MIN. 6 AWG ONLY

IF THE SPA WIRED INCORRECTLY YOUR WARRANTY IS VOID!

4-WIRES (2 HOTS, 1 NEUTRAL, 1 GROUND)



GFCI SUB PANEL (2-POLE GFCI)

